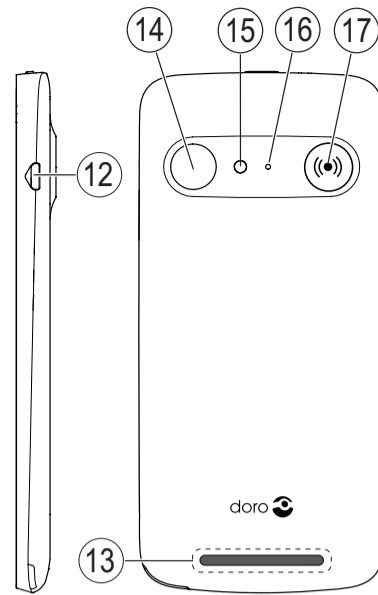
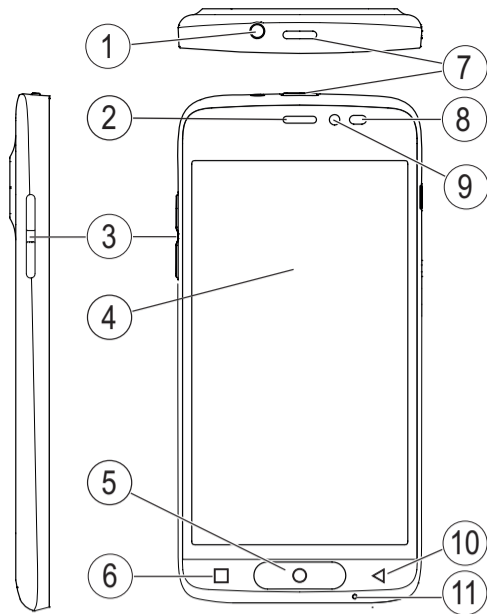


# Doro 8035

## Quick Start Guide

English



### 1. PHONE OVERVIEW

- |                     |                             |
|---------------------|-----------------------------|
| 1. Headset port     | 11. Microphone              |
| 2. Earpiece         | 12. Micro USB charging port |
| 3. Volume           | 13. Loudspeaker             |
| 4. Touch display    | 14. Rear camera             |
| 5. Home key         | 15. Flash                   |
| 6. Recents key      | 16. Second microphone       |
| 7. Power button     | 17. Assistance button       |
| 8. Proximity sensor |                             |
| 9. Front camera     |                             |
| 10. Back key        |                             |

### 2. UNBOX YOUR NEW PHONE

The first step is to unbox the phone and assess the items and equipment included in the delivery. Make sure to read through the manual so you can familiarise yourself with the equipment and the basic functions. For the full manual please visit [www.doro.com/support/](http://www.doro.com/support/) or contact our Helpline.

- The items supplied with the device and any available accessories may vary depending on the region or service provider.
- The supplied items are designed for this device and may not be compatible with other devices.
- Appearances and specifications are subject to change without prior notice.

- You can purchase additional accessories from your local Doro retailer. Make sure they are compatible with the device before purchase.
- Only use batteries, chargers and accessories that have been approved for use with this particular model. Connecting other accessories may be dangerous and may invalidate the phone's type approval and warranty.

### 3. GETTING STARTED

Before you start using your new phone you may need:

- **Nano SIM card.** To take full advantage of your new smartphone's capabilities, you should install a SIM card. The SIM card will enable you to place calls or use mobile data to connect to various Internet services. Your mobile service provider will give you a card and the codes needed for it (PIN and PUK) when you buy a mobile contract or a prepaid SIM card.

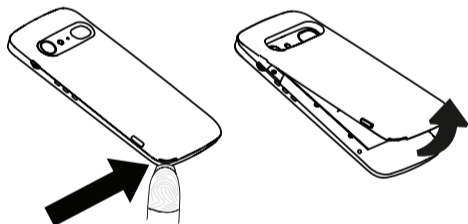
Make sure you get a suitable contract that fit your needs regarding calls and mobile data.

- **Google™ account:** To be able to fully use your new smartphone you need a Google Account. If you don't have one yet, no worries, as you will be guided through an account setup when starting the phone for the first time. It can however be a good idea to think of a Username and Password as these will be used for many services, such as *Gmail, YouTube, Google Maps, Google Drive, Google Photos* and other Google products.

- **Memory card (optional).** You can use a memory card (MicroSD) to increase the storage space of your phone to be able to store more files, pictures, videos etc. Insert a memory card, reboot your device and follow the instruction to select how to use your memory card. We suggest you to use a high speed memory card.
- **Wi-Fi access.** If you have a Wi-Fi access point available, it's always good to connect to that to reduce costs for data traffic and possibly increase data speed.

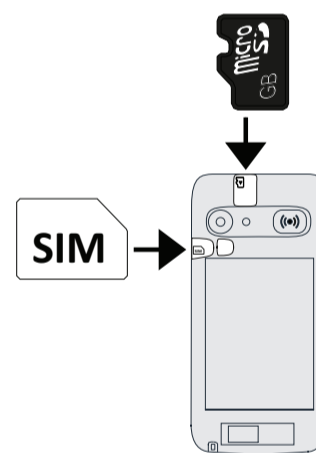
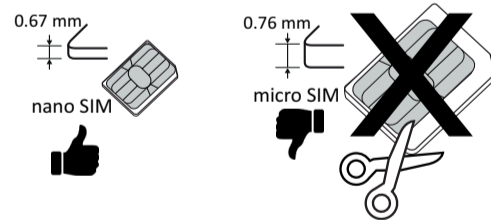
### 4. REMOVE THE BACK COVER

**Important!**  
Be careful not to damage your fingernails when you remove the back cover. Do not bend or twist the back cover excessively as it may get damaged.



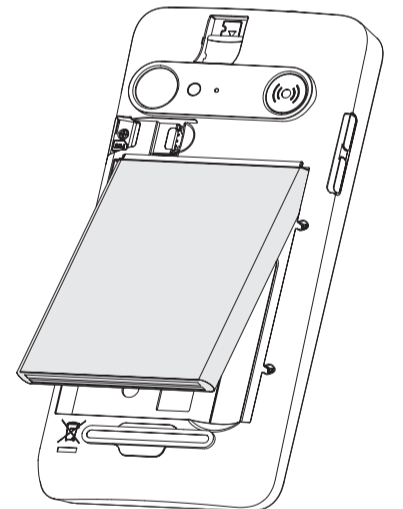
### 5. INSERT SIM CARD (NOT INCLUDED) AND MEMORY CARD (OPTIONAL AND NOT INCLUDED)

1. Insert the SIM card by gently sliding it into the SIM card slot. Make sure that the SIM card's contacts are facing downwards and that the cut off corner is up, as shown. Take care not to scratch or bend the contacts on the SIM card. This device accepts only nano SIM card (4FF). Using a modified incompatible card that is thicker than a nano SIM card may damage the card itself, the card slot and corrupt any data stored on the card.



2. You may also optionally insert a memory card. Make sure that the memory card's contacts are facing downwards, as shown. To remove the memory card: find the small ridge on the exposed end of the memory card. Put your fingernail into the ridge and gently pull the memory card out. Compatible card type: MicroSD, MicroSDHC, MicroSDXC

3. Insert the battery by sliding it into the battery compartment with the contacts facing up to the right.



4. Replace the back cover.

### 6. CHARGE YOUR PHONE

Charge your phone. Your phone may already come with enough charge to be powered on right out of the box, but we recommended to give it a full charge before first using it.

**CAUTION**  
Only use batteries, charger and accessories that have been approved for use with this particular model. Connecting other accessories may be dangerous and may invalidate the phone's type approval and guarantee.

Insert the small end of the included USB cable into the charging port on the phone and other end into the wall charger that you plug into to a wall socket.

### 7. TURN ON THE PHONE

**Note!** *When turning on your phone, the installed applications may need to be updated. Application updates requires Internet connection and can take a few minutes. A Wi-Fi connection is preferable. The phone may appear a bit slow during the update.*

- Press and hold the power button until the display lights up.
- Wait for the phone to start.
- Enter your SIM card PIN if requested.
- Follow the setup guide to get on the Internet and start personalising your new phone.
- Sign in with an existing Google account or setup a new account.

### 8. STARTUP GUIDE

The first time you turn on your phone, a Startup guide is launched. Follow the instructions to start personalising your new phone.

The first question you will get is "Is it your first time using a Smartphone?".

- If you select "Yes, I am a beginner", you will get Doro's unique menu system "Easy mode". This is action-based and allows you to navigate your phone, by just asking yourself, "What do I want to do?".
- If you select "No, I have already used one", you will be asked if you want Doro's action-based menu system "Easy mode" or more traditional Android™ menus "Standard mode".

You can anytime later change the phone's navigation mode via **Set** → **My home screen** → **My navigation mode**

### 9. ANTI-THEFT GUIDE

Set up your device to prevent other people from using it if it's been reset to factory settings without your permission.

All you need to make sure your device is protected is:

- Set a screen lock: If your device is lost or stolen but you have a screen lock set, the device can't be reset using the **Settings menu** unless your screen is unlocked.
- Add your Google account on your device: If your device is erased but you have your Google account on it, the device can't finish the setup process until your Google account information is entered again.
- Be sure to remember your Google account and password to be able to easily restore your device after a factory reset.

